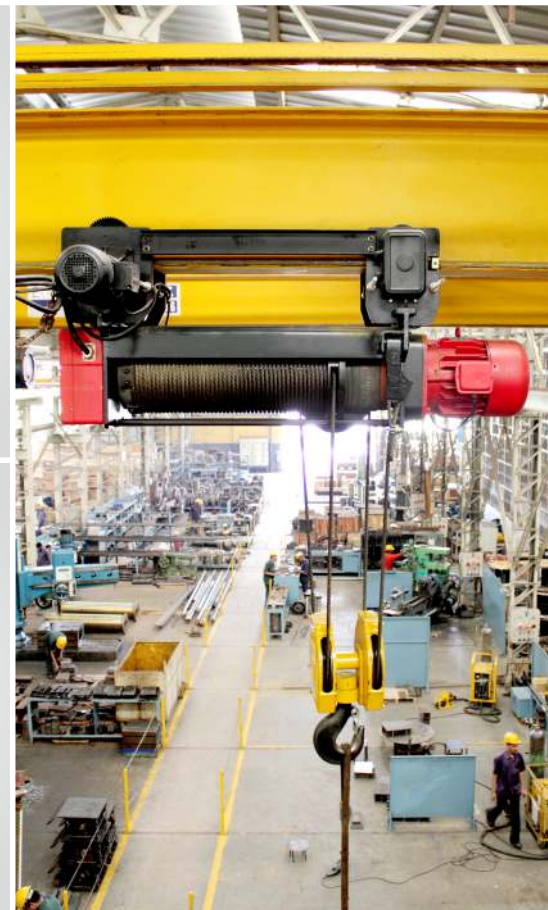




ElectroMech FZE

| Solutions | Service | Satisfaction |



Electric Wire Rope Hoists **ELX & ELN Series**

ELX Series Electric Wire Rope Hoists

Features

- > Short headroom
- > Working temperature: 50° max.
- > Overload protection for all motors
- > Hardened and ground helical gears in all gearboxes
- > Single phasing and phase sequence protection



Cross Travel Motor (Squirrel cage induction motor)

- > Standard 3 Phase, 415V (+/- 10%) supply
Optional 380V, 460V
- > Dual speed pole changing motor (4/12 pole)
- > IP 54 protection, S4 duty motors
- > In-built thermistor protection
- > Timer relay for speed switch-over

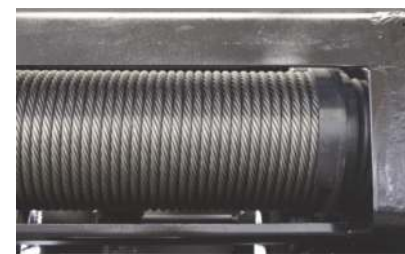
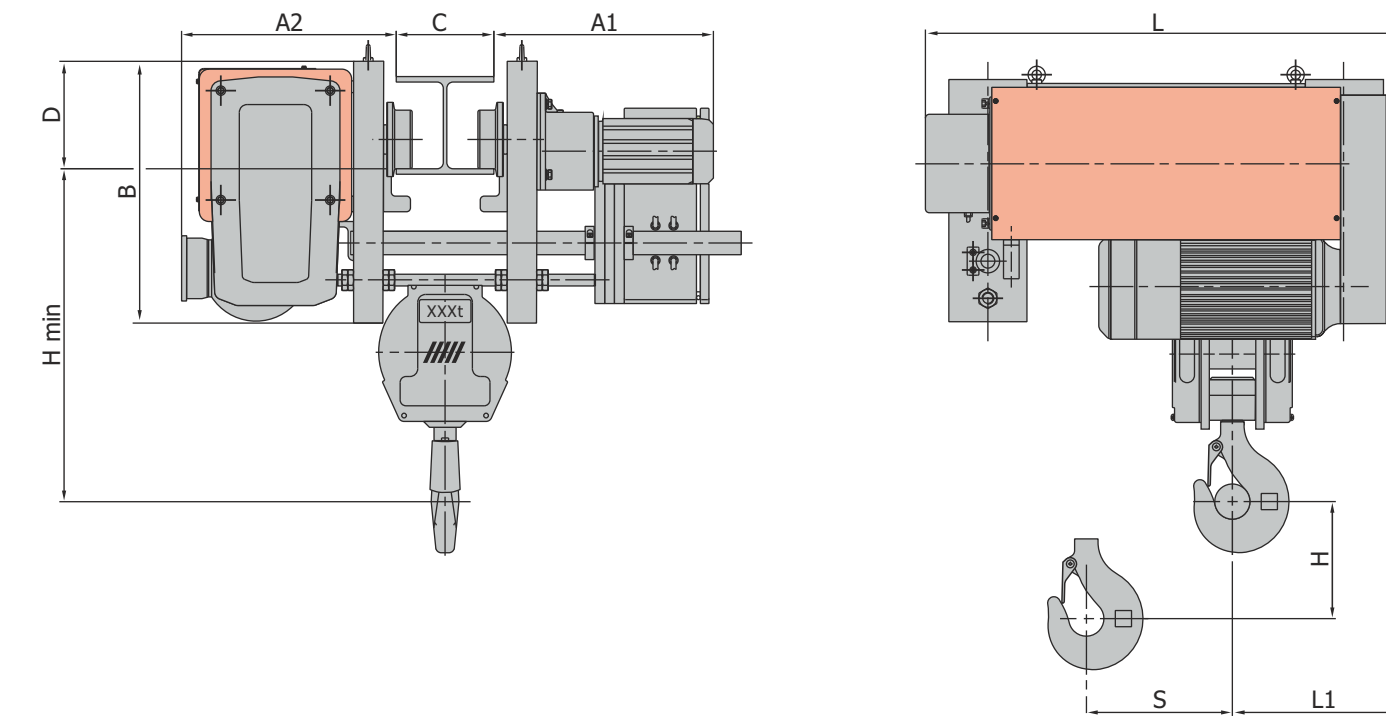


Hoisting Motor (Squirrel cage induction motor)

- > Standard 3 Phase, 415V (+/- 10%) supply
Optional 380V, 460V
- > Dual speed pole changing motor (2/12 pole)
- > DC disc brakes
- > IP 54 protection, S4 duty motors



Technical Drawing - ELX Series



Wire Rope

- > 6x37 construction
- > Steel core
- > UTS:1960N/mm²



Rope Guide

- > Consists of pressure rollers to ensure positive reeving
- > Excellent design prevents free fall even on damage
- > No separate rope tightening device ensures lower maintenance



Hook Assembly

- > Special design to prevent friction between the wire rope and the pulley cover
- > 360° swivelling hook with thrust bearing
- > All pulleys with life lubricated bearings
- > Single shank forged 'C' hook



Limit Switch

- > Rotary cam limit switch, safe and reliable

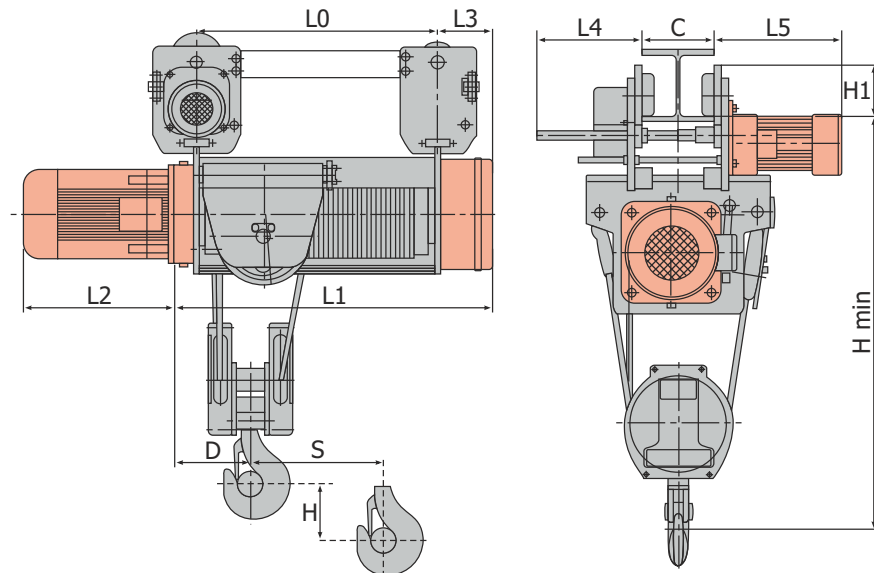
Technical Specifications - ELX Series

Model	Safe working load (t)	Reeving	Wire rope dia-meter (mm)	Hoisting speed (m/min)	Cross travel speed (m/min)	MH motor power (kW)	CT motor power (kW) (x 2 nos.)	CT wheel dia-meter (mm)	Dimensions								Length (L), Weight (W) for HOL							
									A1	A2	B	D	H min	L1	C	S	6m		9m		12m		18m	
ELX-01-02	1.6	2/1	8	8.0/1.2	20.0/6.7	2.5/0.41	0.3/0.1	110	475	395	495	275	575	348	180-400	0.0198H	818	376	818	376	933	399	1151	425
ELX-02-02	2.5	2/1	11	8.0/1.2	20.0/6.7	4.9/0.8	0.4/0.13	110	538	467	565	275	797	380	180-460	0.0212H	845	281	845	311	972	590	1226	678
ELX-03-04	3.2	4/1	8	4.0/0.6	20.0/6.7	2.5/0.41	0.3/0.1	110	475	395	495	275	560	348	180-400	0.0198H	933	376	1151	425	1390	478	1629	531
ELX-05-04	5.0	4/1	11	4.0/0.6	20.0/6.7	4.9/0.8	0.4/0.13	110	538	467	565	275	700	380	180-460	0.0212H	972	590	1226	678	1481	767	1736	855
ELX-06-02	6.3	2/1	15	10.0/1.6	20.0/6.7	12.5/2.1	0.9/0.3	150	562	550	670	275	942	438	180-460	0.0192H	881	1023	881	1023	1046	1116	1224	1215
ELX-10-04	12.5	4/1	15	5.0/0.8	20.0/6.7	12.5/2.1	0.9/0.3	150	562	550	670	275	852	438	180-460	0.0192H	1046	1112	1224	1215	1455	1343	1686	1471

A perfect blend of quality, techno-economic efficiency and reliability

ELN Series Electric Wire Rope Hoists

Technical Drawing - ELN Series



Technical Specifications - ELN Series

Model	Reeving	Capacity (t)	Lifting motor (kW)	Lifting speed (m/min)	Traveling motor (kW)	Traveling speed (m/min)	Dimension	Lifting height (H)						L2	L3	H min	H1	L4	L5	C	D	
								6m	9m	12m	15m	18m	24m									30m
ELN-01-02	2/1	1.0	1.5	8.4	0.4	20	L0	384	481	578	-	772	966	1160	300	138	923	121	256	321	181~315	205
							L1	584	681	778	-	972	1166	1360								
							S	96	144	192	-	288	384	480								
ELN-02-02	2/1	2.0	3.0	7.2	0.4	20	L0	458	562	716	-	924	1132	1340	350	147	1103	121	313	321	181~372	250
							L1	667	771	925	-	1133	1341	1549								
							S	104	156	209	-	313	417	521								
ELN-03-02	2/1	3.2	4.5	7.0	0.4	20	L0	490	599	758	-	976	1194	1412	380	161	1210	121	348	321	181~407	268
							L1	718	827	986	-	1204	1422	1640								
							S	110	164	219	-	328	437	546								
ELN-05-02	2/1	5.0	7.5	7.6	0.75	20	L0	520	635	829	-	1058	1287	1516	460	196	1335	146	393	363	181~470	280
							L1	792	907	1101	-	1330	1559	1788								
							S	118	177	229	-	344	458	572								
ELN-03-04	4/1	3.2	3.0	3.6	0.4	20	L0	716	924	1132	1340	-	-	-	350	147	1056	121	313	321	181~372	212
							L1	925	1133	1341	1549	-	-	-								
							S	209	313	417	521	-	-	-								
ELN-06-04	4/1	6.3	4.5	3.5	0.75	20	L0	758	976	1194	1412	-	-	-	380	161	1180	146	322	363	181~400	227
							L1	986	1204	1422	1640	-	-	-								
							S	219	328	437	546	-	-	-								
ELN-10-04	4/1	10.0	7.5	3.8	0.75	20	L0	829	1058	1287	1516	-	-	-	460	196	1312	179	314	367	181~463	245
							L1	1101	1330	1559	1788	-	-	-								
							S	229	344	458	572	-	-	-								
ELN-16-04	4/1	16.0	13	4.0	0.75x2	20	L0	885	1118	1351	1584	-	-	-	520	211	1390	179	391	367	181~540	282
							L1	1201	1434	1667	1900	-	-	-								
							S	233	350	466	583	-	-	-								
ELN-20-04	4/1	20.0	13	3.2	0.75x2	20	L0	885	1118	1351	1584	-	-	-	520	211	1390	179	391	367	181~540	282
							L1	1201	1434	1667	1900	-	-	-								
							S	233	350	466	583	-	-	-								



Cross Travel Motor (Squirrel cage induction motor)

- Standard 3 Phase, 415V (+/- 10%) supply
Optional 380V, 460V
- Single speed cylindrical rotor motor
- IP 54 protection, S4 duty motors
- In-built DC disc brake

Hoisting Motor (Squirrel cage induction motor)

- Standard 3 Phase, 415V (+/- 10%) supply
Optional 380V, 460V
- Single speed conical rotor changing motor (2/12 pole)
- Self acting taper brakes
- IP 54 protection, S4 duty motors

Wire Rope

- 6x37 construction
- Steel core
- UTS:1670N/mm²

Rope Guide

- Consists of pressure rollers to ensure positive reeving
- Excellent design prevents free fall even on damage
- No separate rope tightening device ensures lower maintenance

Hook Assembly

- Special design to prevent friction between wire rope and pulley cover
- 360° swivelling hook with thrust bearing
- All pulleys with life lubricated bearings
- Single shank forged 'C' hook

Limit Switch

- Rotary cam limit switch, safe and reliable

- Working temperature: 50° max.
- Hardened and ground planetary gearbox in MH
- Hardened and ground helical gearbox in CT
- Single phasing and phase sequence protection



Corporate Office
LOB 19 1002, P. O. Box 263019
Jebel Ali Free Zone, **Dubai, UAE**

Tel. : ++971-4-8857466
Fax : ++971-4-8857655
E-mail : contactus@emech.ae

Channel Partner

